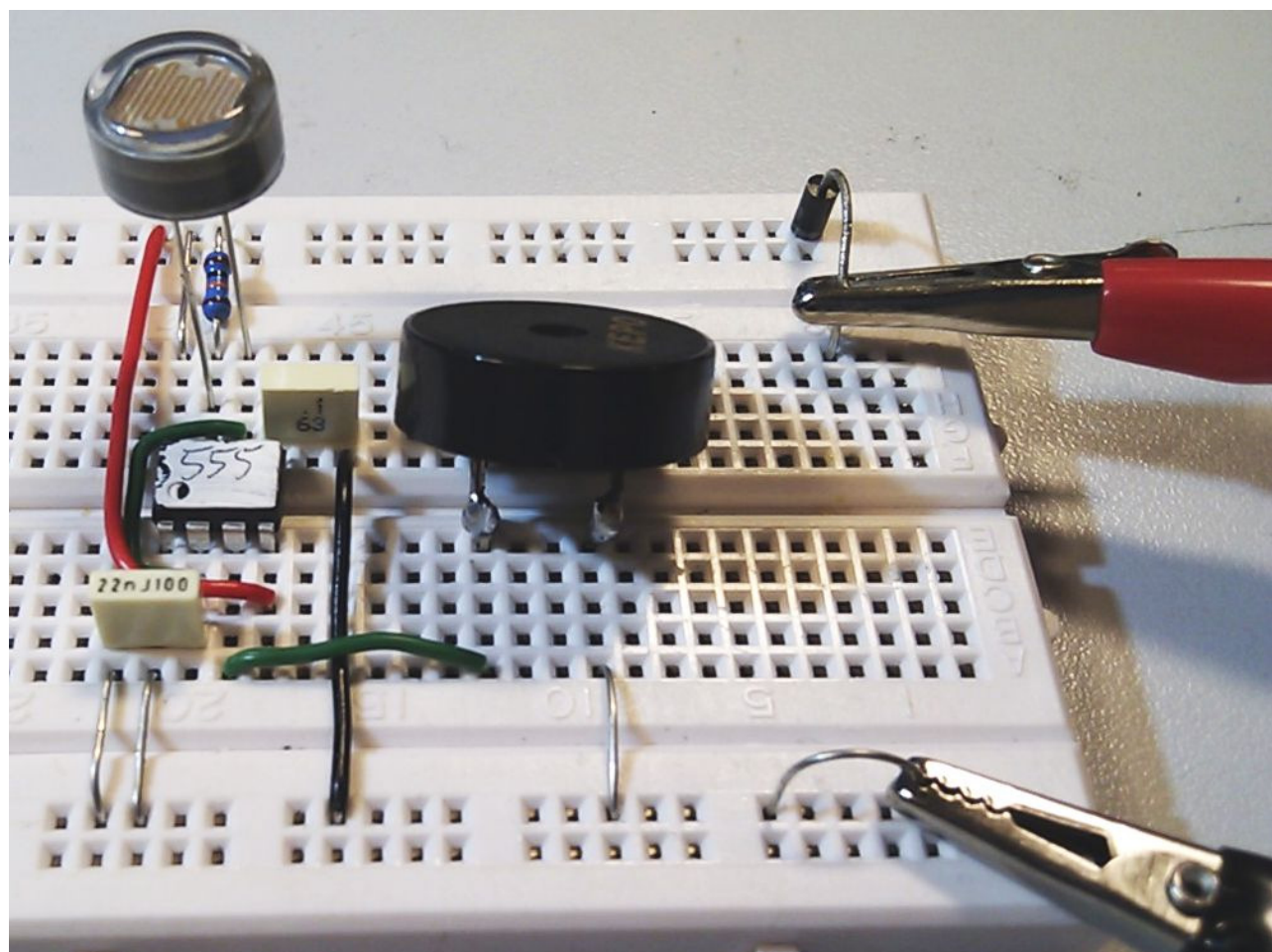
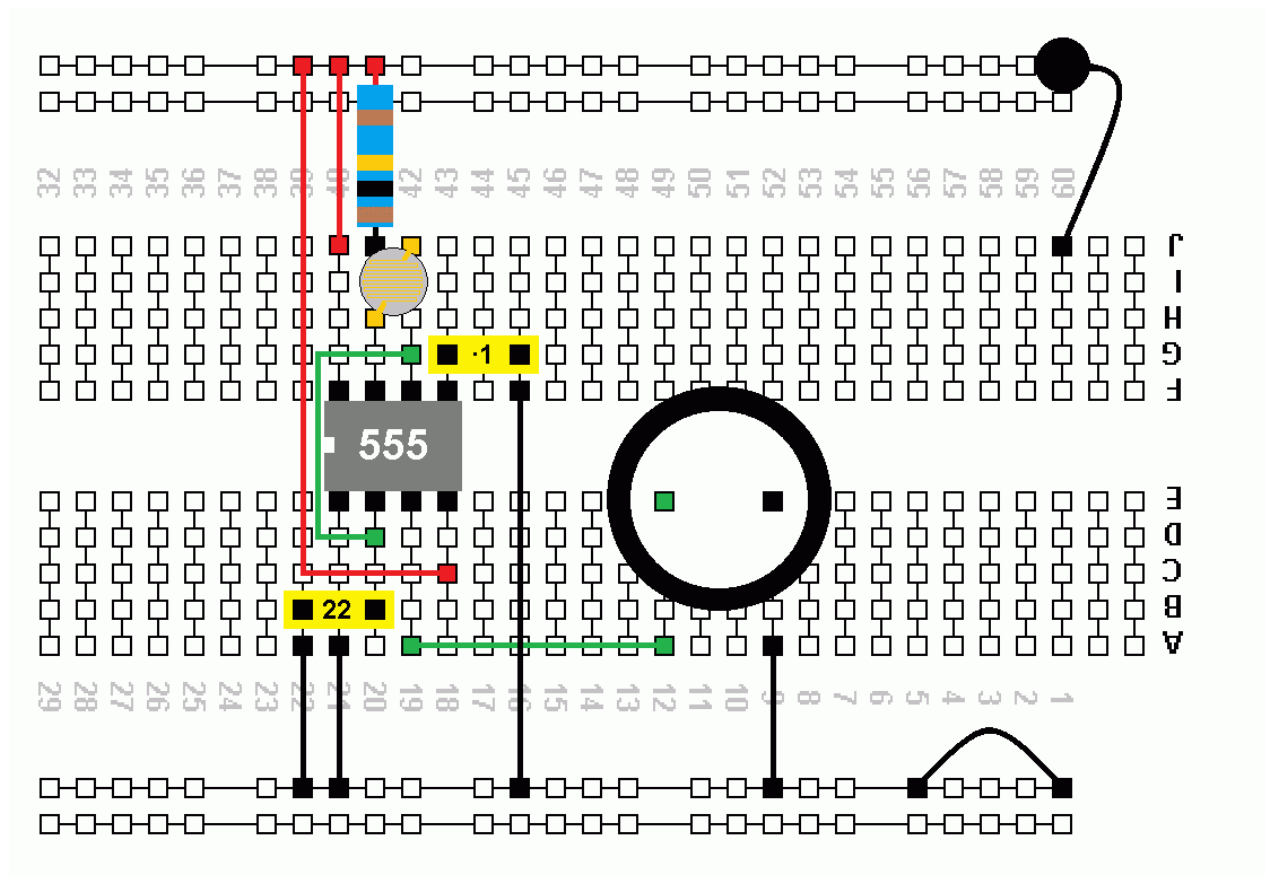


# Science Taster Day - Electronics

## 555 Timer Astable – Buzzer



# 555 Timer Astable – Buzzer

This circuit uses a **CAPACITOR**. This is like an electronic bucket. It's repeatedly filled and emptied.

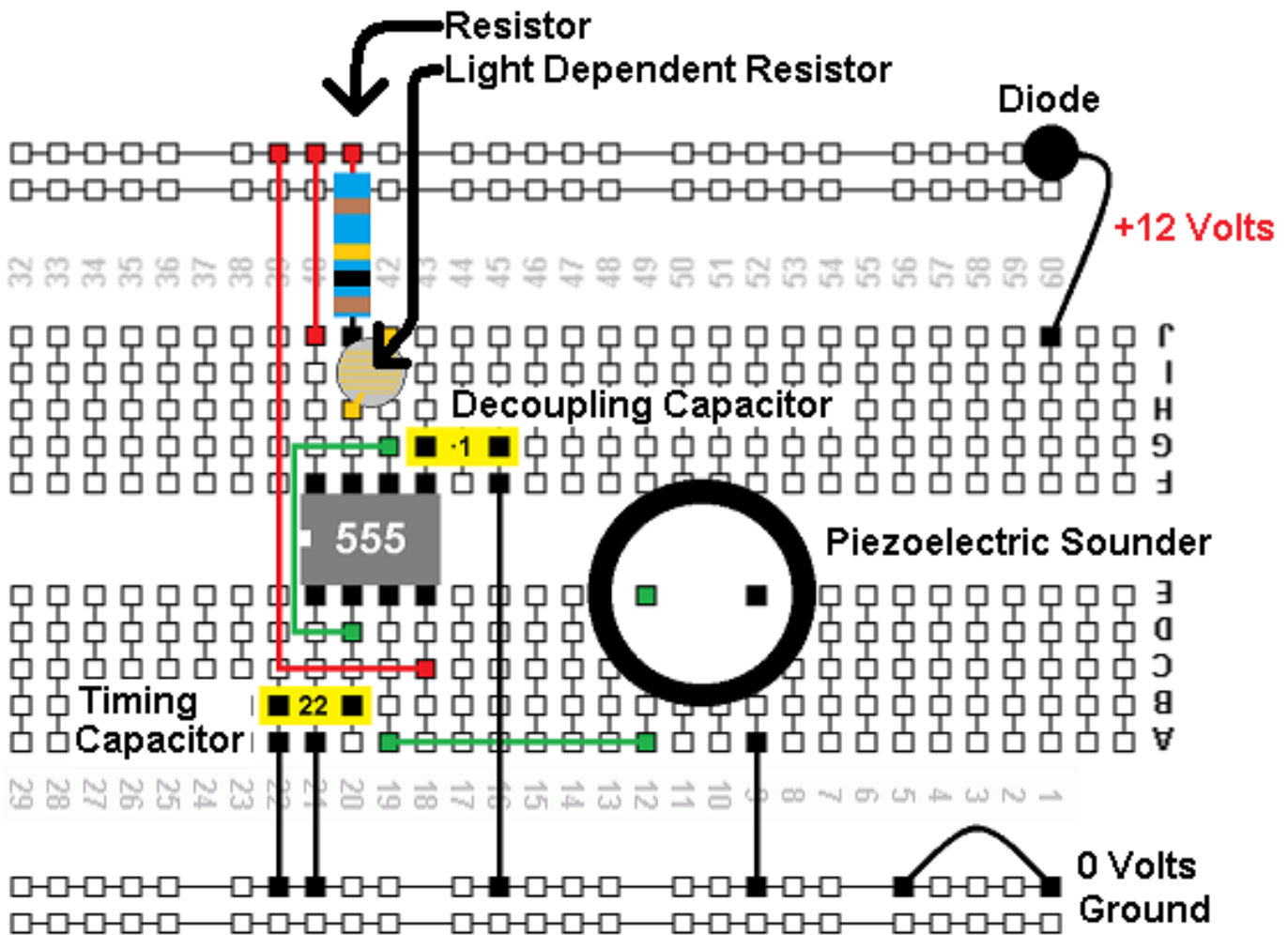
The two **RESISTORS** control how quickly the **CAPACITOR** fills and empties.

The light dependent resistor (**LDR**) makes it possible to play a tune by shading the light.

The **555 Timer** fills the **CAPACITOR** until it's 2/3 full. Then it empties it until it's 1/3 full. This repeats for ever and it controls the timing. The 555 also drives the **SOUNDER**.

The **DIODE** passes current in one direction only.

If you wire up the power the wrong way round, this protects the circuit.



Websites for Electronics at East Norfolk Sixth Form College ...

<http://www.softwareforeducation.com/wikileki/>

<http://reviseomatic.enorf.ac.uk/v2/log/log-in.php>