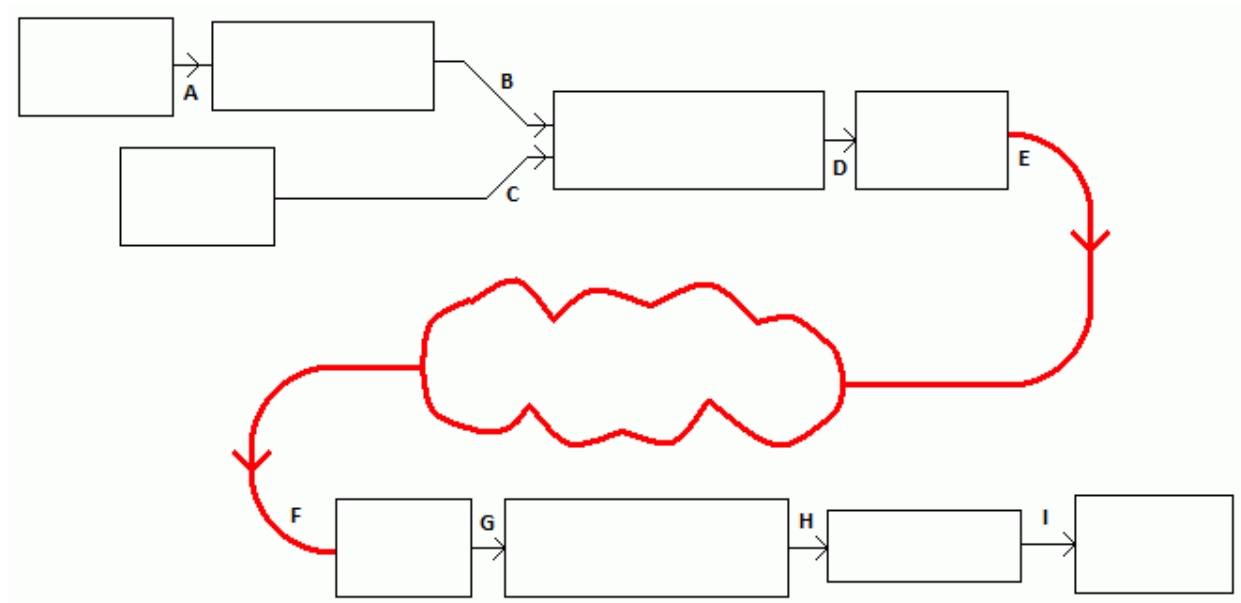


# A2 Communications Test

Your Name:

1. Write a definition of Communication. (2)
2. Complete the system diagram below showing a transmitter and a receiver. (9)



3. What signal is present at points

A

B

C

D

E

F

G

H

I