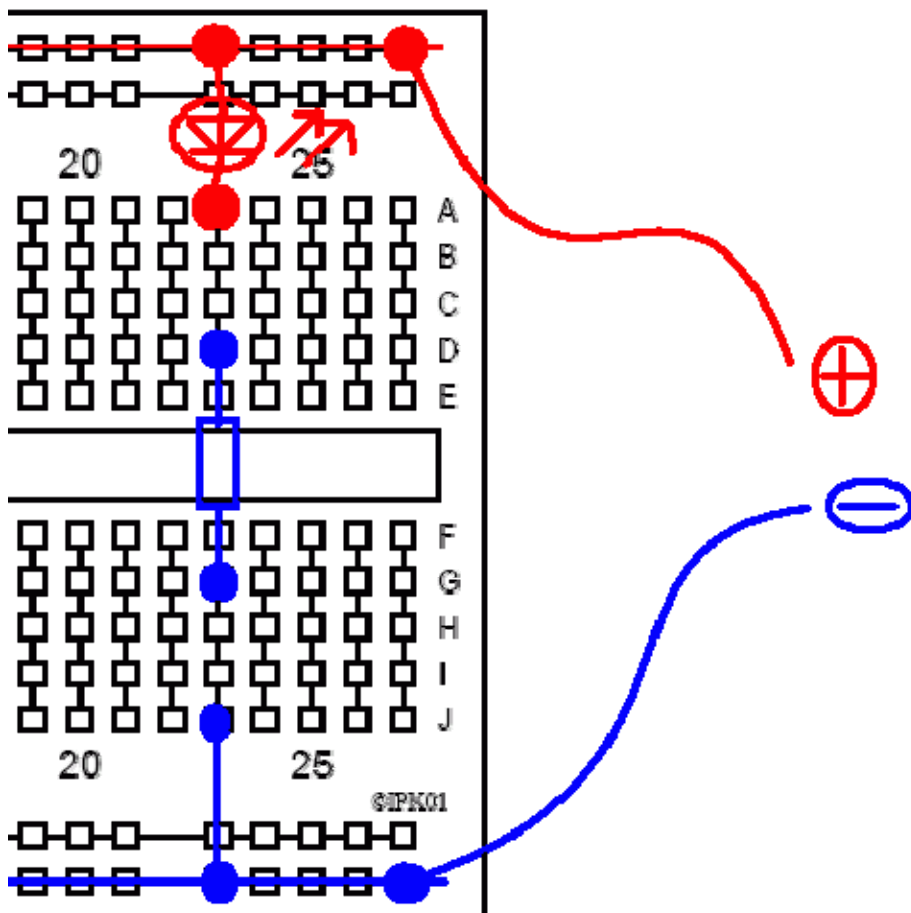


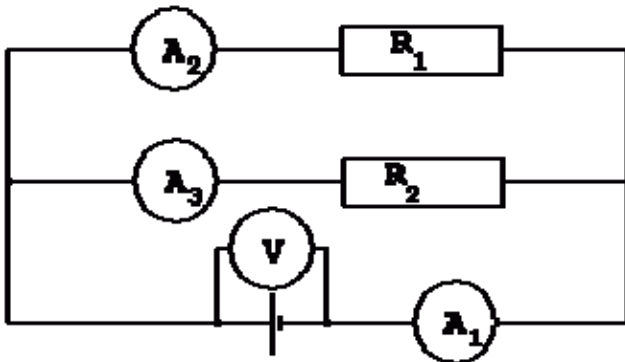
Worksheet - 02 - Basic Electricity

Name:

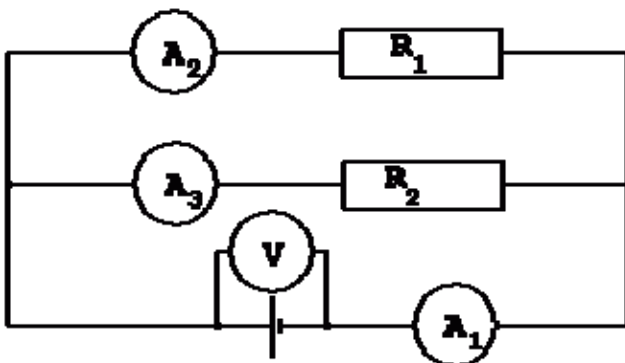
- What happens to the LED if the resistor is replaced with a wire link.
 - What is the approximate potential difference across the LED when normally lit.
 - It is safe to pass 10mA through the LED. Calculate a safe value for R. Assume the power supply voltage is 5 Volts.
 - What value of R would you use if your exact calculated value is not available from suppliers.



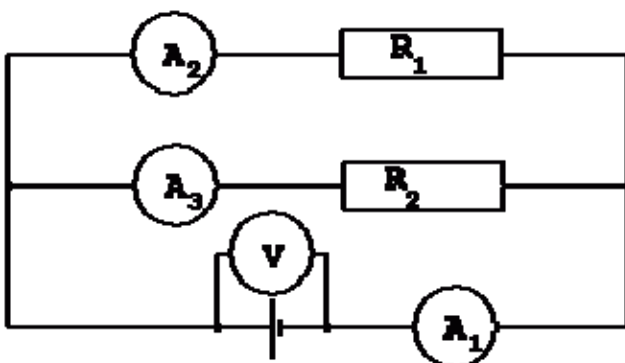
2. If A_1 reads 3 amps and A_2 reads 1 amp, in amps, what does A_3 read?



3. If A_2 reads 2 amps and A_3 reads 3 amp, in amps, what does A_1 read?



4. If V reads 5 volts, what is the potential difference across R_1 ?



5. In what units is charge measured?
 6. In what units is current measured?

7. In what units is potential difference measured?
8. When measuring potential, one lead from the volt meter is always connected to _____.
9. Giga means 10^x . What is the value of x?
10. Kilo means 10^x . What is the value of x?
11. Mega means 10^x . What is the value of x?
12. Milli means 10^x . What is the value of x?
13. Micro means 10^x . What is the value of x?
14. Nano means 10^x . What is the value of x?
15. Pico means 10^x . What is the value of x?
16. In what units is power measured?
17. In what units is resistance measured?